



WELDING TECHNOLOGIES

ARVAL 5 - R TYPE

Retractors from 7 to 14kg

■ R type (Retractor)



Designation	ARO reference	Load range (kg)	Stroke (m)
R7	YZKA722103	7 - 10	2
R10	YZKA722104	10 - 14	2

■ Accessories

- Stainless steel cable



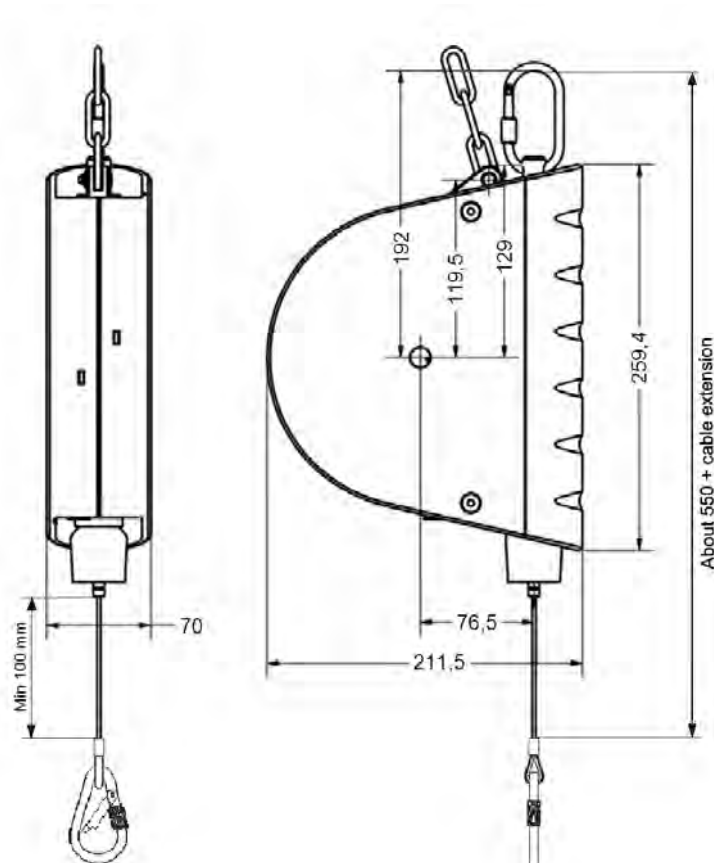
Quality without compromise

■ Main features

- No automatic stop system
- Impact and abrasion resistant plastic body
- Cylindrical drum
- Safety chain

■ Main applications

- Balancing of harnesses
- Small hand tools



Weight = 3,7 to 3,9kg

ROBOTIC WELDING
MANUAL WELDING
STATIONARY WELDING
MOBILE WELDING
LASER WELDING
ARO CONTROLS
ARO SYSTEMS
ARO®Rebuild
PARTS & COMPONENTS

ARO Welding Technologies SAS

1, Avenue de Tours - BP 40161,
72500 Château du Loir,
FRANCE
T +33 (0)2 43 44 74 00
F +33 (0)2 43 44 74 01
E france@arotechnologies.com



WELDING TECHNOLOGIES

www.arotechnologies.com

A Langley Holdings Company

The information contained within this brochure is deemed to be correct at the time of going to press. Due to the policy of continued improvement, we reserve the right to change any specification without prior notice.
ERRORS & OMISSIONS EXCEPTED.

C804GB - 0311